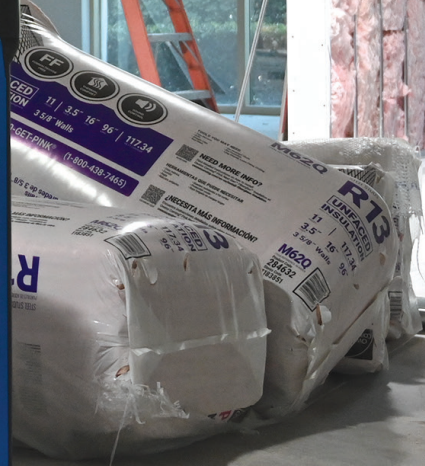


MAGNUM®

PRO SERIES

SERVICE CARTS & ACCESSORIES



PRO SERIES

SERVICE CARTS



WELCOME TO THE PROS.

Pro-Series Service Carts offer big league performance that's tough to beat, while easy to handle.

We're proud to introduce our lineup of **Magnum Pro-Series Service Carts and Service Cart Accessories**—engineered to handle tough jobs with unmatched versatility and durability. This catalog is designed to make it easy for you to navigate our service cart product line, and available accessories for each model.

Our **Pro-Series Service Carts** come in two models:

4117 PRO-SERIES CARTS

39" x 17"



5" CASTER OPTIONS



VAULT® SECURITY PANELING COMPATIBLE

4117 Pro-Series Service Carts

Our small but mighty version, perfect for tight spaces without compromising strength and functionality.

PGS. 4-5

4426 PRO-SERIES CARTS

44" x 25"



5", 8" AND 9" CASTER OPTIONS



VAULT® SECURITY PANELING COMPATIBLE

4426 Pro-Series Service Cart

A larger model that still fits through standard 26" doorways, giving you more capacity without sacrificing maneuverability.

PGS. 6-7

SAME CART DNA, WITH ADDED PIECE OF MIND.



VAULT

SAFE. SECURE. LOCKABLE STORAGE.

Build on our iconic Pro-Series Service Cart chassis, VAULT Carts offer a one-stop solution for users wanting added security and lockable storage. All the same great Pro-Series Service Cart features with the benefits of VAULT- Heavy-Duty 16 gauge paneling to secure the bottom tray area with a pad or combination lock, interior tool rails, and portholes to allow for secure battery charging.

Our VAULT Carts come in two models:

4117 VAULT® CARTS

39" x 17"



- ✓ 5" CASTER OPTIONS
- ✓ VAULT® SECURITY PANELING INCLUDED

4117 VAULT Carts

Smaller footprint, mighty secure. Built on our 4117 Pro-Series chassis, and equipped with VAULT Security Paneling for added security.

PGS. 8-9

4426 VAULT® CARTS

44" x 25"



- ✓ 5", 8" AND 9" CASTER OPTIONS
- ✓ VAULT® SECURITY PANELING INCLUDED

4426 VAULT Carts

When bigger is better, and security is paramount. Built on our 4426 Pro-Series chassis, and equipped with VAULT Security Paneling for added security.

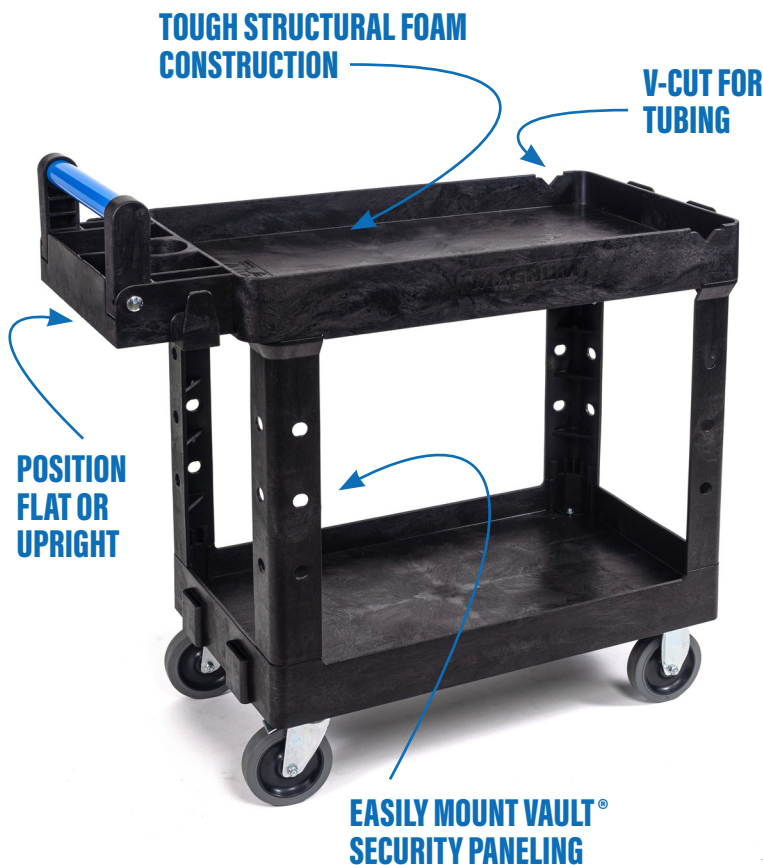
PGS. 10-13

MAGNUM

4117

PRO SERIES

4117 PRO-SERIES SERVICE CARTS



Small, but mighty. Super sturdy and rugged. Packed with features.

HIGHLIGHTS

- ✓ 500 lb load capacity
- ✓ Adaptable handle can be positioned flat or ergonomically to suit the user
- ✓ Narrow width to maneuver in confined spaces
- ✓ Two deep tray shelves to keep things in place
- ✓ Tough polypropylene structural foam construction for years of rugged dependability
- ✓ V-Cut securely holds material to assist with accurate measuring and cutting
- ✓ Mounting points for hooks, poles, tools and other handy accessories (2 Free Tool Hooks included)
- ✓ Easily attach VAULT Security Paneling for lockable storage and security (VAULT sold separately)

FEATURES



Adaptable Handle offers both flat or upright positions.



Position the handle flat to make an extra large work surface.



5" Standard Non-Marking Casters (2 Swivel/2 Fixed)



5" Heavy-Duty Non-Marking Casters (2 Swivel Lock/2 Fixed)

4117 PRO-SERIES SERVICE CARTS



OVERALL LENGTH
43" (Handle flat)
37.5" (Handle upright)

WIDTH
17"

CART FRAME HEIGHT
27" (Handle flat)
31" (Handle upright)

CASTER HEIGHT
6" Heavy-Duty

TRAY SIZE
32" X 17" O.D.

TRAY DEPTH
2.4"

Approximate dimensions.

DIMENSIONS

CASTER OPTIONS



**5" STANDARD
NON-MARKING**
(2 Swivel/2 Fixed)



**5" HEAVY-DUTY
NON-MARKING**
(2 Swivel Brake/2 Fixed)

4117 PRO-SERIES MODEL CONFIGURATIONS

CART4117-PRO-A5S

4117 Pro-Series Service Cart w/ 5" Standard Non-Marking Casters



ITEM CODE	DESCRIPTION	BOX DIMENSIONS	NT. WT.	G. W.	PER PALLET	BOX COUNT
CART4117-PRO	4117 PRO-SERIES SERVICE CART FRAME	40.2" X 18.5" X 6.5"	25.3 LB	28 LB	20	1-A
CARTA-A5S	5" X 1" STANDARD NON-MARKING CASTER KIT (2 SWIVEL/2 FIXED)	11.8" X 5.5" X 4.75"	5 LB	6 LB	20	1-B

CART4117-PRO-A5H

4117 Pro-Series Service Cart w/ 5" Heavy-Duty Non-Marking Casters



ITEM CODE	DESCRIPTION	BOX DIMENSIONS	NT. WT.	G. W.	PER PALLET	BOX COUNT
CART4117-PRO	4117 PRO-SERIES SERVICE CART FRAME	40.2" X 18.5" X 6.5"	25.3 LB	28 LB	20	1-A
CARTA-A5H	5" X 1-1/4" HEAVY NON-MARKING CASTER KIT (2 SWIVEL BRAKE/2 FIXED)	13" X 10.5" X 4.5"	8 LB	9 LB	20	1-B

MAGNUM

4117

VAULT

4117 VAULT® CARTS

TOUGH STRUCTURAL FOAM CONSTRUCTION

V-CUT FOR TUBING

POSITION FLAT OR UPRIGHT



INCLUDES HEAVY-DUTY 16G STEEL VAULT® SECURITY PANELING

Small, but mighty. Super sturdy and rugged. Packed with features.

HIGHLIGHTS

- ✓ 500 lb load capacity
- ✓ Adaptable handle can be positioned flat or ergonomically to suit the user
- ✓ Narrow width to maneuver in confined spaces
- ✓ Two deep tray shelves to keep things in place
- ✓ Tough polypropylene structural foam construction for years of rugged dependability
- ✓ V-Cut securely holds material to assist with accurate measuring and cutting
- ✓ Mounting points for hooks, poles, tools and other handy accessories (2 Free Tool Hooks included)
- ✓ Includes VAULT Security Paneling for lockable storage and security (does not include lock)

FEATURES



Adaptable Handle offers both flat or upright positions.



Easily access secure storage and keep your valuables private.



Built tough to handle up to 500 lb loads on a daily basis.



Includes 5" Heavy-Duty Non-Marking Casters (2 swivel brake/2 fixed)

4117 VAULT® CARTS



VAULT

4117 VAULT® CART MODEL CONFIGURATIONS

CART-K04

4117 VAULT Cart w/ 5" Heavy-Duty Non-Marking Casters



ITEM CODE	DESCRIPTION	BOX DIMENSIONS	NT. WT.	G. W.	PER PALLET	BOX COUNT
CART4117-PRO	4117 PRO-SERIES SERVICE CART FRAME	40.2" X 18.5" X 6.5"	25.3 LB	28 LB	10	1-A
CARTA-A5H	5" X 1-1/4" HEAVY NON-MARKING CASTER KIT (2 SWIVEL BRAKE/2 FIXED)	13" X 10.5" X 4.5"	7 LB	8 LB	10	1-B
CART4117-VS	VAULT SECURITY PANELING FOR 4117 PRO-SERIES SERVICE CART	30" X 22" X 9"	36 LB	44 LB	10	1-C

MAGNUM

4426

PRO SERIES

4426 PRO-SERIES SERVICE CARTS

TOUGH STRUCTURAL FOAM CONSTRUCTION

V-CUT FOR TUBING

POSITION FLAT OR UPRIGHT

EASILY MOUNT VAULT® SECURITY PANELING

Large and built like a tank. Study, tough, and feature rich.

HIGHLIGHTS

- ✓ 500 lb load capacity
- ✓ Adaptable handle can be positioned flat or ergonomically to suit the user
- ✓ Large and wide, but fits through 26" doorways
- ✓ Two deep tray shelves to keep things in place
- ✓ Tough polypropylene structural foam construction for years of rugged dependability
- ✓ V-Cut securely holds material to assist with accurate measuring and cutting
- ✓ Mounting points for hooks, poles, tools and other handy accessories (2 Free Tool Hooks included)
- ✓ Easily attach VAULT Security Paneling for lockable storage and security (VAULT sold separately)

FEATURES



Adaptable Handle offers both flat or upright positions.



Optional 2-1/2" Bench Chain Vise mounts seamlessly



Optional DraftDeck Flip-top Lid and VAULT Security Paneling



5" Heavy-Duty Casters are standard. Options available.

4426 PRO-SERIES SERVICE CARTS



MAGNUM

WE HANDLE IT™

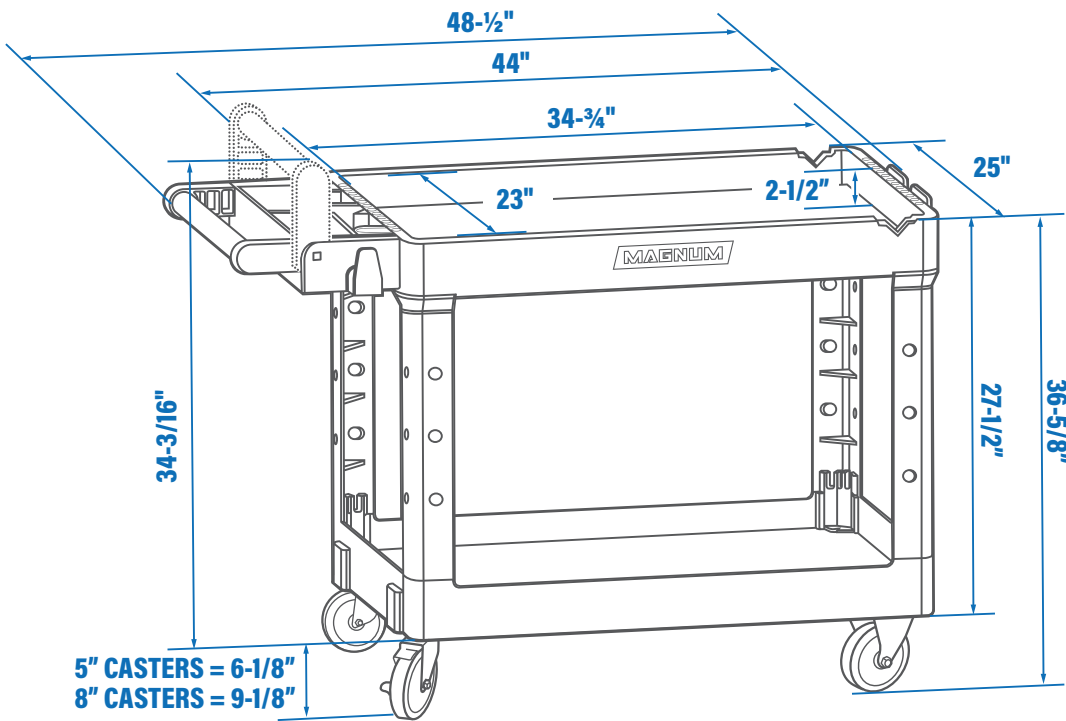


888.443.8889



MAGNUM-TOOL.COM

4426 PRO-SERIES SERVICE CARTS



- OVERALL LENGTH**
48.5" (Handle flat)
44" (Handle upright)
- WIDTH**
25"
- CART FRAME HEIGHT**
27.5" (Handle flat)
34-3/16" (Handle upright)
- CASTER HEIGHT**
6.1" 5" Heavy-Duty
8" Pneumatic/Flat-Free
- TRAY SIZE**
34.75" X 23" I.D.
- TRAY DEPTH**
2.5"

DIMENSIONS

Approximate dimensions.

CASTER OPTIONS



5" STANDARD
NON-MARKING

5" HEAVY-DUTY
NON-MARKING

8" MAX-ENDURANCE
CASTERS

8" FLAT-FREE
CASTERS

9" FLAT-FREE
CASTERS

PRO SERIES

4426 PRO-SERIES MODEL CONFIGURATIONS

CART4426-PRO-A5S 4426 Pro-Series Service Cart w/ 5" Standard Non-Marking Casters



ITEM CODE
CART4426-PRO
CARTA-A5S

DESCRIPTION
4426 PRO-SERIES SERVICE CART FRAME
**5" X 1" STANDARD NON-MARKING
CASTER KIT (2 SWIVEL/2 FIXED)**

BOX DIMENSIONS
45" X 26" X 8"
11.8" X 5.5" X 4.75"

NT. WT.
41 LB
5 LB

G. W.
45 LB
6 LB

PER
PALLET
20
20

BOX
COUNT
1-A
1-B

ADDITIONAL MODELS PG. 11

4426 PRO-SERIES SERVICE CARTS

CART4426-PRO-A5H 4426 Pro-Series Service Cart w/ 5" Heavy-Duty Non-Marking Casters



ITEM CODE	DESCRIPTION	BOX DIMENSIONS	NT. WT.	G. W.	PER PALLET	BOX COUNT
CART4426-PRO	4426 PRO-SERIES SERVICE CART FRAME	45" X 26" X 8"	41 LB	45 LB	20	1-A
CARTA-A5H	5" X 1-1/4" HEAVY NON-MARKING CASTER KIT (2 SWIVEL BRAKE/2 FIXED)	21" X 7" X 4"	8 LB	9 LB	20	1-B

CART4426-PRO-A8P 4426 Pro-Series Service Cart w/ 8" Max-Endurance Casters



ITEM CODE	DESCRIPTION	BOX DIMENSIONS	NT. WT.	G. W.	PER PALLET	BOX COUNT
CART4426-PRO	4426 PRO-SERIES SERVICE CART FRAME	45" X 26" X 8"	41 LB	45 LB	20	1-A
DO-APP	8" X 2" MAX-ENDURANCE CASTER KIT (2 SWIVEL BRAKE/2 FIXED)	24.5" X 10.5" X 4.5"	31 LB	33 LB	20	1-B

CART4426-PRO-A8N 4426 Pro-Series Service Cart w/ 8" Flat-Free Casters



ITEM CODE	DESCRIPTION	BOX DIMENSIONS	NT. WT.	G. W.	PER PALLET	BOX COUNT
CART4426-PRO	4426 PRO-SERIES SERVICE CART FRAME	45" X 26" X 8"	41 LB	45 LB	20	1-A
CARTA-A8N	8" X 2" FLAT-FREE CASTER KIT (2 SWIVEL BRAKE/2 FIXED)	24.5" X 10.5" X 4.5"	32 LB	34 LB	20	1-B

CART4426-PRO-A9N 4426 Pro-Series Service Cart w/ 9" Flat-Free Casters



ITEM CODE	DESCRIPTION	BOX DIMENSIONS	NT. WT.	G. W.	PER PALLET	BOX COUNT
CART4426-PRO	4426 PRO-SERIES SERVICE CART FRAME	45" X 26" X 8"	41 LB	45 LB	20	1-A
CARTA-A9N	9" X 3" FLAT-FREE CASTER KIT (2 SWIVEL BRAKE/2 FIXED)	24.5" X 10.5" X 4.5"	37 LB	39 LB	20	1-B

SECURE IT WITH VAULT.

Select your model configuration.

PG. X

MAGNUM

4426

VAULT

4426 VAULT® CARTS



Small, but mighty. Super sturdy and rugged. Packed with features.

HIGHLIGHTS

- ✓ 500 lb load capacity
- ✓ Adaptable handle can be positioned flat or ergonomically to suit the user
- ✓ Narrow width to maneuver in confined spaces
- ✓ Two deep tray shelves to keep things in place
- ✓ Tough polypropylene structural foam construction for years of rugged dependability
- ✓ V-Cut securely holds material to assist with accurate measuring and cutting
- ✓ Mounting points for hooks, poles, tools and other handy accessories (2 Free Tool Hooks included)
- ✓ Includes VAULT Security Paneling for lockable storage and security (does not include lock)

FEATURES



Adaptable Handle offers both flat or upright positions.



Secure mobility to tackle any challenge with confidence.



Interior tool rails on all three sides to maximize capacity.



5" Heavy-Duty Non-Marking Casters standard. Multiple options available.

4426 VAULT® CARTS



OPTIONAL 2-1/2" BENCH CHAIN VISE



OPTIONAL 9" CASTERS

CASTER OPTIONS



5" HEAVY-DUTY
NON-MARKING



8" MAX-ENDURANCE
CASTERS



8" FLAT-FREE
CASTERS



9" FLAT-FREE
CASTERS



4426 VAULT® CARTS

VAULT

4426 VAULT® CART MODEL CONFIGURATIONS

CART-K09

4426 Pro-Series Service Cart w/ 5" Heavy-Duty Non-Marking Casters



ITEM CODE	DESCRIPTION	BOX DIMENSIONS	N. W.	G. W.	PER PALLET	BOX COUNT
CART4426-PRO	4426 PRO-SERIES SERVICE CART FRAME	45" X 26" X 8"	41 LB	45 LB	10	1-A
CARTA-A5H	5" X 1-1/4" Heavy-Duty NON-MARKING CASTER KIT (2 SWIVEL/2 FIXED)	21" X 7" X 4"	8 LB	9 LB	10	1-B
CART4426-VS	4426 VAULT SECURITY PANELING	45" X 27" X 7"	41 LB	49 LB	10	1-C

CART-K20

4426 Pro-Series Service Cart w/ 8" Max-Endurance Casters



ITEM CODE	DESCRIPTION	BOX DIMENSIONS	N. W.	G. W.	PER PALLET	BOX COUNT
CART4426-PRO	4426 PRO-SERIES SERVICE CART FRAME	45" X 26" X 8"	41 LB	45 LB	10	1-A
DO-APP	8" X 2" MAX-ENDURANCE CASTER KIT (2 SWIVEL BRAKE&LOCK/2 SWIVEL LOCK)	24.5" X 10.5" X 4.5"	31 LB	33 LB	10	1-B
CART4426-VS	4426 VAULT SECURITY PANELING	45" X 27" X 7"	41 LB	49 LB	10	1-C

CART-K11

4426 Pro-Series Service Cart w/ 8" Flat-Free Casters



ITEM CODE	DESCRIPTION	BOX DIMENSIONS	N. W.	G. W.	PER PALLET	BOX COUNT
CART4426-PRO	4426 PRO-SERIES SERVICE CART FRAME	45" X 26" X 8"	41 LB	45 LB	10	1-A
CARTA-A8N	8" X 2" FLAT-FREE CASTER KIT (2 SWIVEL BRAKE/2 FIXED)	24.5" X 10.5" X 4.5"	32 LB	34 LB	10	1-B
CART4426-VS	4426 VAULT SECURITY PANELING	45" X 27" X 7"	41 LB	49 LB	10	1-C

CART-K18

4426 Pro-Series Service Cart w/ 9" Flat-Free Casters



ITEM CODE	DESCRIPTION	BOX DIMENSIONS	N. W.	G. W.	PER PALLET	BOX COUNT
CART4426-PRO	4426 PRO-SERIES SERVICE CART FRAME	45" X 26" X 8"	41 LB	45 LB	10	1-A
CARTA-A9N	9" X 3" FLAT-FREE CASTER KIT (2 SWIVEL/2 FIXED)	24.5" X 10.5" X 4.5"	37 LB	39 LB	10	1-B
CART4426-VS	4426 VAULT SECURITY PANELING	45" X 27" X 7"	41 LB	49 LB	10	1-C

SERVICE CART ACCESSORIES



TIR10H
EPDM TIE DOWNS

Keep your ladder secure on our built in cart hooks, or Tool Hook accessories. Not sold individually. Included in our Service Ladder Kits below (CARTA-L & CARTA-TPL).



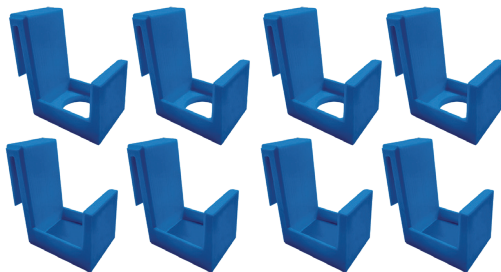
CARTA-22H
Tool Hook w/ Hole

Attach to the top or bottom shelf. Use as a hook, as well as, a pole tool holder when used in conjunction with CARTA-22 as a pole tool base.



CARTA-22
Tool Hook

Attach to the top or bottom shelf. Use as a hook and most commonly as a pole tool base when used in conjunction with CARTA-22H.



CARTA-TPL
Service Cart Ladder, Tool & Pole Hook Kit

Includes:
(2) EPDM Tie Downs
(4) Tool Hooks w/ Hole
(4) Tool Hooks



Power Strip
OUT3USB

3-Outlet Power Strip with 2 USB Ports and 9' Cord.



DRAFTDECK PLANNER TABLE FOR 4426 MODEL CARTS

DRAFTDECK

PLANNER TABLE FOR SERVICE CARTS

The **Magnum DraftDeck Planner Table** is a versatile accessory for our 4426 Pro Series Service Cart. It converts the upper tray into a secure storage area and flat workspace. The flip-top lid positions at two ergonomic angles for easy document review and collaboration. For standard use, stow the lid against the cart side. Lightweight, durable, and easy to mount or remove with 12 P3 screws, it's perfect for all construction phases. Enhance productivity with adaptable work angles, secure storage, and robust design.

- 37" X 26-1/2" table top surface
- Fits Magnum 4426 Pro Series Service Carts (works with or without Magnum Vault installed)
- Flip-Top lid can be positioned at a variety of angles to make collaboration easier
- Use a key or combination lock to secure the contents of your upper tray
- Service Cart & Vault sold separately



PLAN AND REVIEW DOCUMENTS



KEEP ITEMS SAFE AND SECURE



ROTATE LID TO DESIRED POSITION



ITEM CODE	DESCRIPTION	LENGTH	WIDTH	HEIGHT	ITEM WEIGHT	PALLET COUNT	PURCHASE UNIT
CART4426-DD	MAGNUM DRAFTDECK PLANNER TABLE	37 IN	26-1/2 IN	2-1/8 IN	14 LB	44	1 DRAFTDECK

NEW**2-1/2 BENCH CHAIN VISE FOR 4426 MODEL CARTS**

CUT & THREAD CONDUIT ON THE MOVE.

- ✓ Specifically designed for Magnum 4426 Pro Series Carts
- ✓ Securely holds 1/8" to 2-1/2" pipe, conduit, tubing, and more
- ✓ Transforms your service cart into a mobile pipe cutting, bending, and threading center
- ✓ Installs and removes in seconds, with all necessary mounting hardware included



Magnum 2-1/2" Bench Chain Vise

This versatile vise mounts easily to any sturdy surface, and its specialized plate and hardware ensure seamless integration with the Magnum 4426 Pro Series Service Cart for uncompromised stability. Built from heavy-duty cast iron, it's engineered for lasting durability. Toothless, neoprene-coated jaws grip pipe securely without scoring, while a smooth-turning crank handle makes tightening effortless. An integrated side pipe rest and bender provide added stability and leverage. With a 1/8" to 2-1/2" pipe capacity, it's ideal for bending, cutting, threading, and more.

ITEM CODE
CARTA-CV-212

DESCRIPTION
2-1/2" BENCH CHAIN VISE

ITEM WEIGHT
10.4 LBS

MAGNUM

®

Magnum Tool Corp., Inc.
5600 Bonhomme Rd, Suite B
Houston, TX 77036

1 (888) 443-8889 fax (713) 781-5677

sales@magnum-tool.com

www.magnum-tool.com

AUTHORIZED DEALER

