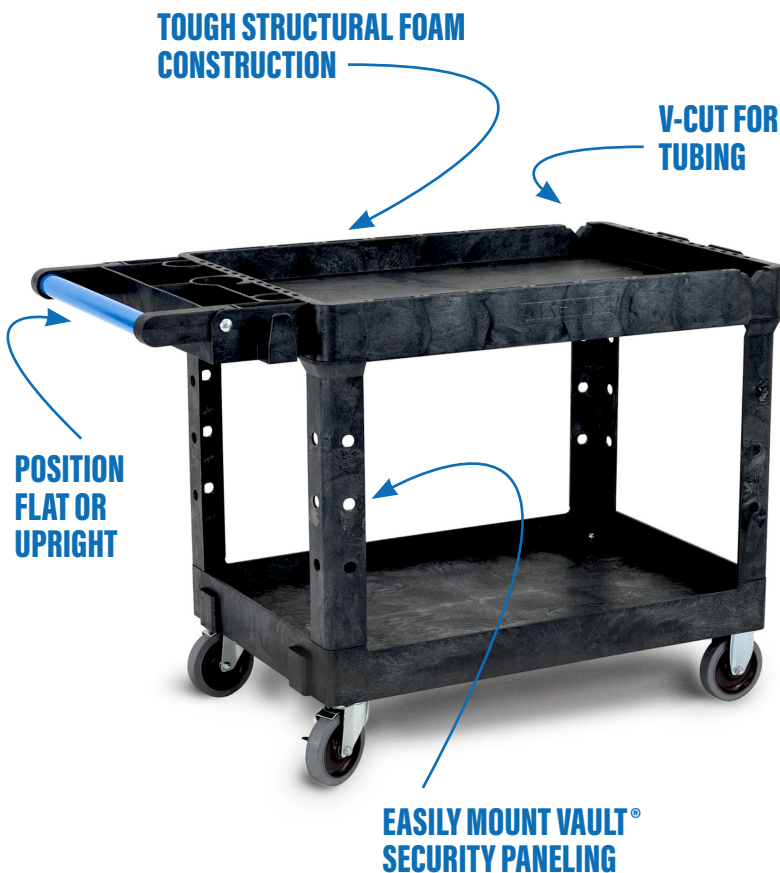


MAGNUM[®]

4426

PRO SERIES

4426 PRO-SERIES SERVICE CARTS



Large and built like a tank. Study, tough, and feature rich.

HIGHLIGHTS

- ✓ 500 lb load capacity
- ✓ Adaptable handle can be positioned flat or ergonomically to suit the user
- ✓ Large and wide, but fits through 26" doorways
- ✓ Two deep tray shelves to keep things in place
- ✓ Tough polypropylene structural foam construction for years of rugged dependability
- ✓ V-Cut securely holds material to assist with accurate measuring and cutting
- ✓ Mounting points for hooks, poles, tools and other handy accessories (2 Free Tool Hooks included)
- ✓ Easily attach VAULT Security Paneling for lockable storage and security (VAULT sold separately)

FEATURES



Adaptable Handle offers both flat or upright positions.



Optional 2-1/2" Bench Chain Vise mounts seamlessly



Optional DraftDeck Flip-top Lid and VAULT Security Paneling

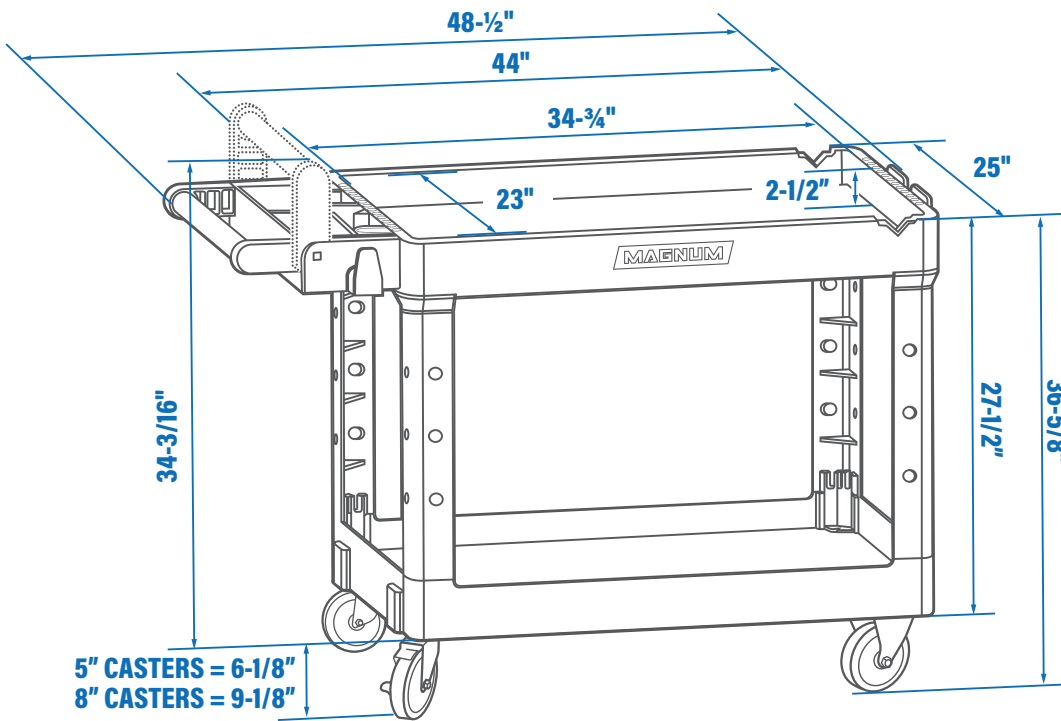


5" Heavy-Duty Casters are standard. Options available.

4426 PRO-SERIES SERVICE CARTS



4426 PRO-SERIES SERVICE CARTS



OVERALL LENGTH
 48.5" (Handle flat)
 44" (Handle upright)

WIDTH
 25"

CART FRAME HEIGHT
 27.5" (Handle flat)
 34-3/16" (Handle upright)

CASTER HEIGHT
 6.1" 5" Heavy-Duty
 8" Pneumatic/Flat-Free

TRAY SIZE
 34.75" X 23" I.D.

TRAY DEPTH
 2.5"

Approximate dimensions.

DIMENSIONS

CASTER OPTIONS



5" STANDARD
NON-MARKING

5" HEAVY-DUTY
NON-MARKING

8" MAX-ENDURANCE
CASTERS

8" FLAT-FREE
CASTERS

9" FLAT-FREE
CASTERS

PRO SERIES

4426 PRO-SERIES MODEL CONFIGURATIONS

CART4426-PRO-A5S 4426 Pro-Series Service Cart w/ 5" Standard Non-Marking Casters



ITEM CODE	DESCRIPTION	BOX DIMENSIONS	N. W.	G. W.	PER PALLET	BOX COUNT
CART4426-PRO	4426 PRO-SERIES SERVICE CART FRAME	45" X 26" X 8"	41 LB	45 LB	20	1-A
CARTA-A5S	5" X 1" STANDARD NON-MARKING CASTER KIT (2 SWIVEL/2 FIXED)	11.8" X 5.5" X 4.75"	4.5 LB	4.5 LB	20	1-B

4426 PRO-SERIES SERVICE CARTS

CART4426-PRO-A5H 4426 Pro-Series Service Cart w/ 5" Heavy-Duty Non-Marking Casters



ITEM CODE	DESCRIPTION	BOX DIMENSIONS	N. W.	G. W.	PER PALLET	BOX COUNT
CART4426-PRO	4426 PRO-SERIES SERVICE CART FRAME	45" X 26" X 8"	41 LB	45 LB	20	1-A
CARTA-A5H	5" X 1-1/4" HEAVY NON-MARKING CASTER KIT (2 SWIVEL BRAKE/2 FIXED)	21" X 7" X 4"	8 LB	9 LB	20	1-B

CART4426-PRO-A8P 4426 Pro-Series Service Cart w/ 8" Max-Endurance Casters



ITEM CODE	DESCRIPTION	BOX DIMENSIONS	N. W.	G. W.	PER PALLET	BOX COUNT
CART4426-PRO	4426 PRO-SERIES SERVICE CART FRAME	45" X 26" X 8"	41 LB	45 LB	20	1-A
DO-APP	8" X 2" FLAT-FREE CASTER KIT (2 SWIVEL BRAKE/2 FIXED)	13" X 10.5" X 4.5"	7 LB	8 LB	20	1-B

CART4426-PRO-A8N 4426 Pro-Series Service Cart w/ 8" Flat-Free Casters



ITEM CODE	DESCRIPTION	BOX DIMENSIONS	NT. WT.	G. W.	PER PALLET	BOX COUNT
CART4426-PRO	4426 PRO-SERIES SERVICE CART FRAME	45" X 26" X 8"	41 LB	45 LB	20	1-A
CARTA-A8N	8" FLAT-FREE CASTER KIT (2 SWIVEL BRAKE/2 FIXED)	13" X 10.5" X 4.5"	7 LB	8 LB	20	1-B

CART4426-PRO-A9N 4426 Pro-Series Service Cart w/ 9" Flat-Free Casters



ITEM CODE	DESCRIPTION	BOX DIMENSIONS	NT. WT.	G. W.	PER PALLET	BOX COUNT
CART4426-PRO	4426 PRO-SERIES SERVICE CART FRAME	45" X 26" X 8"	41 LB	45 LB	20	1-A
CARTA-A9N	9" FLAT-FREE CASTER KIT (2 SWIVEL/2 FIXED)	13" X 10.5" X 4.5"	LB	LB	20	1-B

VAULT

Vault Security Paneling for 4426 Pro-Series Service Carts

MAGNUM-TOOL.COM/VAULT4426

MAGNUM

WE HANDLE IT™



888.443.8889



MAGNUM-TOOL.COM